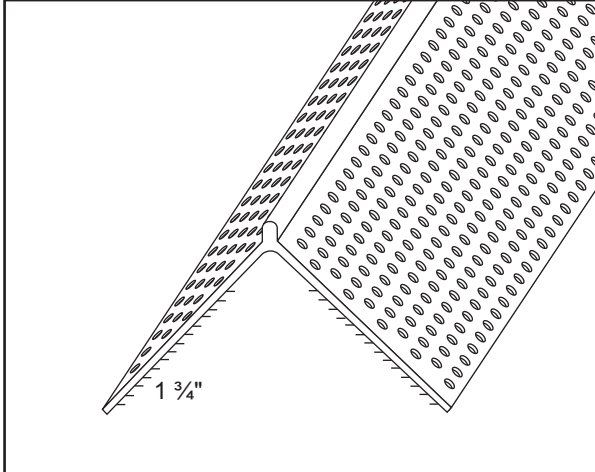


TRIM-TEX

DRYWALL PRODUCTS

SUBMITTAL SHEET



Product: Mud Set Rigid Jumbo Low Profile Corner Bead

Description: Trim-Tex Mud Set Rigid Low Profile Corner Bead is designed to finish outside 90° drywall corners WITHOUT any setback needed. It is installed and bonded to the drywall with drywall compound.

Advantages: Extra wide 1 3/4" mud legs. Easily finishes 2 layers of 5/8" drywall. Ideal for level 5 finishing. Engineered Low Profile design maintains a clean, sharp look while requiring less mud/compound to finish. Made from rust proof, dent resistant PVC to reduce jobsite and handling damage.

Limitations: Product is designed for interior use and is to be installed with high quality drywall mud/compound. Do not install with spray adhesives, staples, nails or screws. Do not thin out your mud like you would for paper faced beads. Trim-Tex's micro perforation hole design allows thick mud to spread out evenly. Mix your mud first and test before adding water.

Applicable Standards: Rigid PVC products made by Trim-Tex meet ASTM specifications D3678-97, D1784-03, C1047-99 and achieve a Class A rating for flame spread and smoke developed when tested under ASTM E84-10.

Surface Characteristics: Trim-Tex products are made from PVC. PVC does not support combustion and is self extinguishing when the source of flame or heat is removed.

Installation: Cut and dry fit the bead to verify proper length.

Do NOT install with spray adhesives, staples, nails or screws. Apply mud/compound to bead or corner depending on installation method. Mud Set Beads are designed to be installed with high quality drywall compounds. Install your bead with a hopper, compound tube or blade/trowel. **Do NOT use both the hopper and compound tube together.** Place your bead onto the corner. Once in position, use the Quad Roller #460 or the handle of your taping knife to pressure the mud legs to the drywall allowing the excess mud to escape. No need to wipe down the bead if you are applying the fill coat that same day.

Finishing: First coat of mud can be applied immediately. Finish mudding, sanding and painting as you normally would. Priming is not required. Always use a high quality paint. For ultimate bond, add Mud-Max to all coats of mud.

Accessories: Accessories include Trim-Tex Sanding Blocks & Abrasive Products, Mud-Max Drywall Compound Additive and North by Honeywell -Safety Products distributed by Trim-Tex.

STOCK NUMBER	LENGTH	PCS PER BOX
MSRJ08LP	8'	50
MSRJ09LP	9'	50
MSRJ10LP	10'	50

Job Name _____

Contractor _____

Date _____

Approvals
(Signatures or Stamps)