

CHECK OUT THESE OTHER FINE PRODUCTS FROM TRIM-TEX



093V

EXPANSION JOINT

U.S. Patent # 5,477,643

- TWICE THE MOVEMENT OF ZINC
- HALF THE PRICE!
- CLEANER & EASIER TO USE
- RUST PROOF RIGID PVC
- ELIMINATES HANDLING DAMAGE

How It Works

The Trim-Tex 093V Rigid PVC Expansion Joint features a co-extruded flexible PVC center that provides a full 3/8" of protection against the stresses of expansion and contraction.

The 093V's patented tear off strips act as a guide for your taping knife, and protect the center from mud, making cleanup a breeze. 093V is easier to use than any control joint that comes with removable tape.

INSTALLATION

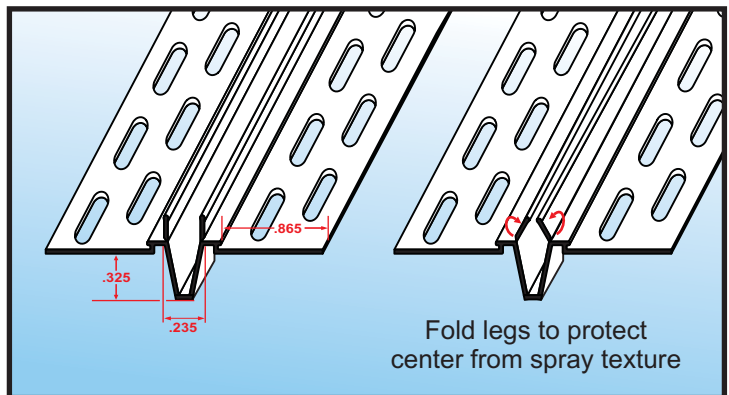
For long runs, it may be helpful to snap a chalk line as a guide for the 093V Expansion.

Maintain a 1/4" gap in the V for optimal operation. To install the bead, cut the bead to length. Spray the bead and then the drywall with Trim-Tex 847 Spray Adhesive. Immediately apply to the drywall.

Once in position, press the legs into place using the free installation tool or handle of your taping knife.

Staple both legs every 6"-8" with 1/2" long divergent staples. To boost the performance and strength of your drywall compound, use Trim-Tex's high performance MUD-MAX drywall compound additive.

The center of the V does not require primer and only needs the finish paint to be brushed in.



COMO FUNCIONA

La union de expansion 093V cuenta con PVC rigido al igual que un centro flexible de PVC el cual provee 3/8" de proteccion en contra de movimiento estructural. Las extremidades de proteccion funcionan como guia para la espátula al igual que impiden que el compuesto ensucie el centro de la union, haciendo mas facil el terminado comparado con productos con cinta de proteccion.

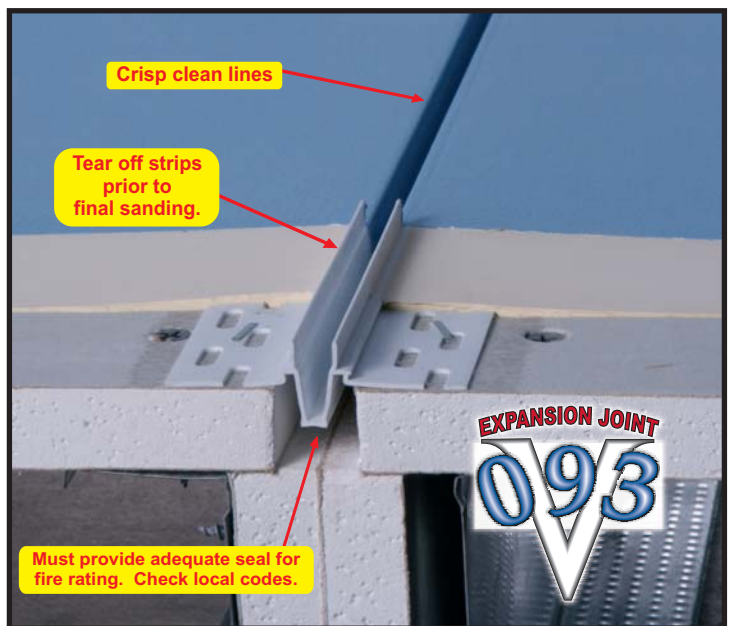
INSTALACION

Para instalaciones de gran longitud, tal vez sea necesario usar una línea de gis como guía. Mantenga un espacio de 1/4" en la V para mejor función. Corte la junta 093V a la medida, aplique pegamento en aerosol 847 primero a la junta 093V y después al drywall, instale de inmediato.

Precione las extremidades con la herramienta gratuita de aplicación o el mango de su martillo.

Engrape cada 6" a 8" con grapas divergentes de 1/2". Para mejores resultados agregue MUD-MAX a su compuesto para el terminado de drywall.

El centro de expansion 093V no necesita sellador de pintura, solamente pintura.

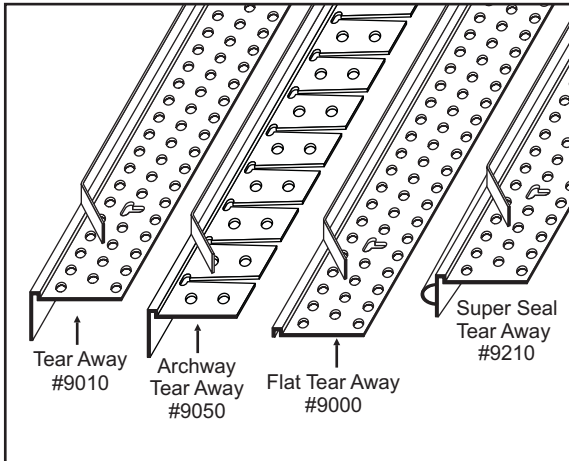


STOCK #	LENGTH	PCS/ BOX
093V	10'	20

Contact us today! Phone: 800-874-2333 / Fax: 800-644-0216 / www.trim-tex.com

CHECK OUT THESE OTHER FINE PRODUCTS FROM TRIM-TEX

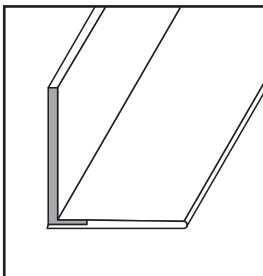
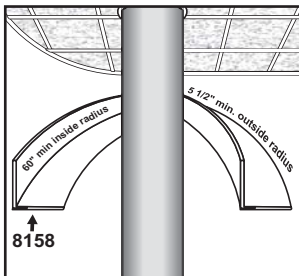
Acoustical Wallboard Trims & Commercial Products



TEAR AWAY™ L BEAD & SUPER SEAL TEAR AWAY™

Tear Away L Bead comes with a full 5/16" tear-off leg. When finished, simply tear off the leg for a clean look. All the great features of the Tear Away L Bead are now also available in an Archway Tear Away version. Perfect for layering details Archway Tear Away is available for 1/2" and 5/8" drywall. Flat Tear Away is designed for areas where the drywall has been butted too close to slip the return leg behind the drywall. The Super Seal Tear Away is our standard commercial quality Tear Away with .300 gasket fused to one side. The gasket compresses upon installation to form a permanent seal that effectively reduces sound transmission, replaces caulk and provides relief at the panel perimeter.

STOCK #	SIZE	LENGTH	PCS PER BOX
9000	FLAT	10'	50
9002	1/4"	10'	50
9004	3/8"	10'	50
9008	1/2"	8'	50
9010	1/2"	10'	50
9012	1/2"	12'	50
9050	1/2"	10'	20
9108	5/8"	8'	50
9110	5/8"	10'	50
9150	5/8"	10'	20
9210	3/8"	10'	25

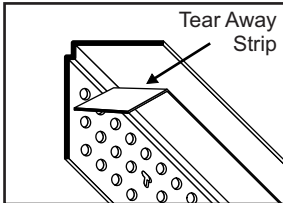


FLEX-GRID ANGLE™ (CO-EXTRUDED HIGHLY FLEXIBLE WALL ANGLE)

The only way to finish circular columns, wall covers, recessed circular, floating and free-form ceilings. Will finish columns 5 1/2" radius or larger. 8158 will finish a minimum inside radius of 60". For inside radii as small as 18", use 8159 or 8179. Available in white and black to match most grid systems, Flex Grid Angle can also be painted to match any color.

(U.S. Patent # 5,481,845)

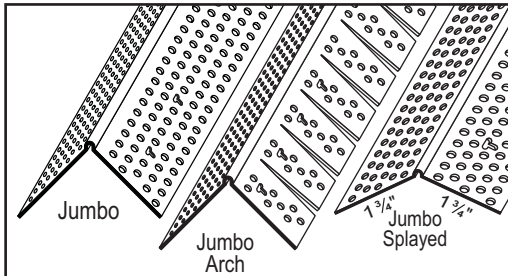
STOCK #	COLOR	SIZE	LENGTH	PCS PER BOX
8158	White	7/8"	8'	63
8159	White	9/16"	8'	63
8178	Black	7/8"	8'	63
8179	Black	9/16"	8'	63



MUD ON™ CEILING BEAD

Mud On Ceiling is designed to simulate a standard drop ceiling wall angle. Use wherever a new wall is butted to an existing drop ceiling. Available in 7/8" or 9/16" with a tear away strip that protects the visible flange from compound and paint for easy clean up.

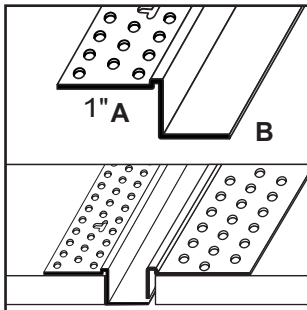
STOCK #	SIZE	LENGTH	PCS PER BOX
5008	7/8"	8'	40
5010	7/8"	10'	40
5012	7/8"	12'	40
5020	9/16"	10'	40



JUMBO CORNER BEAD, JUMBO ARCH, JUMBO SPLAYED

Jumbo Corner Bead comes with an extra wide mud leg (a full 1 3/4") enough for finishing 2 layers of 5/8" drywall or for higher traffic areas. Jumbo Arch is perfect for large arches and commercial applications. Jumbo Splayed is an outside corner that can be flexed to fit unusual outside corner angles from 120° to 140°.

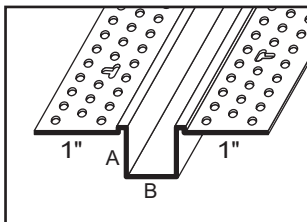
STOCK #	STYLE & LENGTH	PCS PER BOX
J008	JUMBO 8'	40
J009	JUMBO 9'	40
J010	JUMBO 10'	40
JA10	JUMBO ARCH	40
JS10	JUMBO SPLAYED	40
JSA10	JUMBO SPLAYED ARCH	40



SHADOW BEAD

Shadow Bead is used to create a reveal effect when butting up to door jambs, base trim, ceilings, light boxes and other interior architectural components. Can be used with 7/16" L Bead to create a floating reveal as shown. See detail to the left. The floating reveal creates the same effect as our regular reveal, except that it also acts as an expansion joint in commercial applications. Order 7/16" L Bead (#3210S) along with your shadow bead.

STOCK #	A X B SIZE	LENGTH	PCS PER BOX
5410	1/2" x 1/4"	10'	50
5510	1/2" x 1/2"	10'	50
5610	1/2" x 3/4"	10'	50
5650	1/2" x 1"	10'	50
5710	5/8" x 1/4"	10'	50
5750	5/8" x 3/8"	10'	50
5810	5/8" x 1/2"	10'	50
6010	5/8" x 5/8"	10'	50
5910	5/8" x 3/4"	10'	50



REVEAL BEAD

Reveal Beads are used to create a 1/2" deep reveal in the drywall and are available in multiple widths. 1/4" X 1/4" Reveal is perfect for creating fine line details and can be flexed to conform to curving walls, soffits and columns. 12" min. inside or outside radius. Can be used with 1/4" Fiber Optic Cable.

STOCK #	A X B SIZE	LENGTH	PCS PER BOX
5150	1/4" x 1/4"	10'	30
5160	1/2" x 1/4"	10'	20
5110	1/2" x 1/2"	10'	20
5210	1/2" x 3/4"	10'	15
5310	1/2" x 1"	10'	15
5350	5/8" x 2"	10'	10