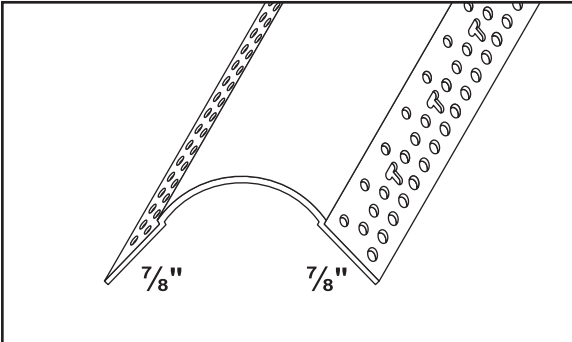


# SUBMITTAL SHEET

## Product(s): 1½" R. Bullnose Corner Bead

### 1½" R. Bullnose Corner Bead



Stock #	Length	Pcs/Box
7098	8'	30
7099	10'	30
7092	12'	30

**Description:** Trim-Tex 1½" R. Bullnose Corner Bead visually softens corners and adds a traditional or southwestern look. Also available in archway for curved surfaces that can finish a 18" inside or up to 30" outside radius.

**Advantages:** Qualifies for LEED® points. Made from rust proof, dent resistant PVC to reduce job site and handling damage. Safer than sharp square metal corners. Trim-Tex offers the most complete line of 1½" R. Bullnose Corner Bead in the industry.

**Limitations:** Product is designed for interior use only.

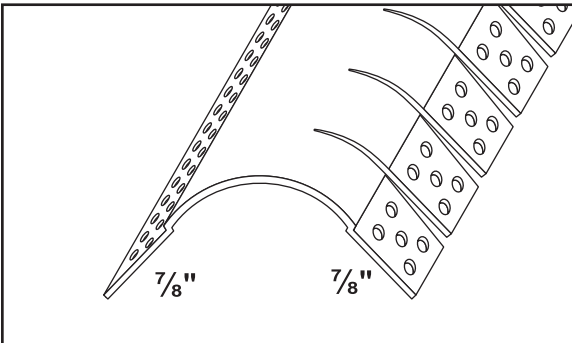
**Applicable Standards:** Rigid PVC products made by Trim-Tex meet ASTM specifications D3678-97, D1784-03, C1047-99 and achieve a Class A rating for flame spread and smoke developed when tested under ASTM E84-10.

**Surface Characteristics:** Trim-Tex products are made from PVC. PVC does not support combustion and is self extinguishing when the source of flame or heat is removed.

**Installation:** Snip the bead to length and dry fit. Install with Trim-Tex 847 Spray Adhesive and ½" divergent staples. Detailed installation instructions are included with each product.

**Finishing:** To improve the bondability of drywall compounds, textures, & plaster products to any bead, use MUD-MAX Drywall Compound Additive. For texture finishes, TEX11 Texture Prep is recommended on beads with exposed PVC surfaces such as Bullnose, Super L Beads and Fast Caps. Priming is not required. Always use a high quality paint.

### 1½" R. Bullnose Archway Bead



Stock #	Length	Pcs/Box
7199	10'	30

Job Name \_\_\_\_\_

Contractor \_\_\_\_\_ Date \_\_\_\_\_

Approvals (Signatures or Stamps)