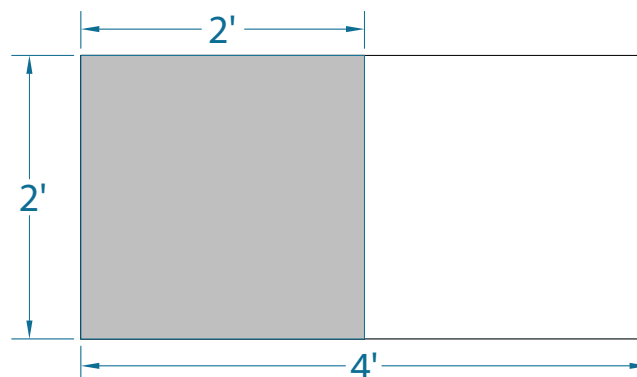
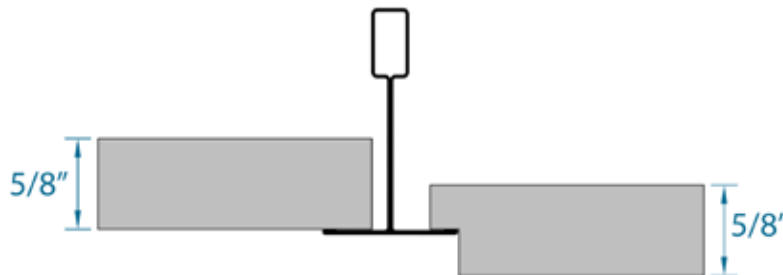


Backloading: ROCKFON Acoustical Ceiling Tiles

Instructions:

Installing insulation on the back of suspended ceilings (back loading) is not recommended by ROCKFON as the addition of insulation can affect the performance of the tile. The following are back loading recommendations acceptable with ROCKFON Acoustical Ceiling Tiles and Chicago Metallic Suspension Systems when installed under the following conditions:

1. Insulation must not weigh more than 0.26 lb. per square foot for 5/8" thick tiles and 0.5 lb. per square foot for tiles that are 3/4" thick and above.
 2. A dew point analysis is conducted to determine if there are potential changes that may create condensation. Condensation present on the ceiling tile, Grid or any component will void the Rockfon® Limited Warranty.
 3. Only fibrous (permeable) Insulation is acceptable and cannot include an integrated air/ vapor barrier. Insulation Batts are not acceptable.
- A. Ceiling tiles sized 2x2 or 2x4 with minimum thickness of 5/8" can be used with insulation weighing up to 0.26 lbs per square foot.
- B. Ceiling tiles sized 2x2 with minimum thickness of 3/4" can be used with insulation weighing up to 0.5 lbs per square foot.

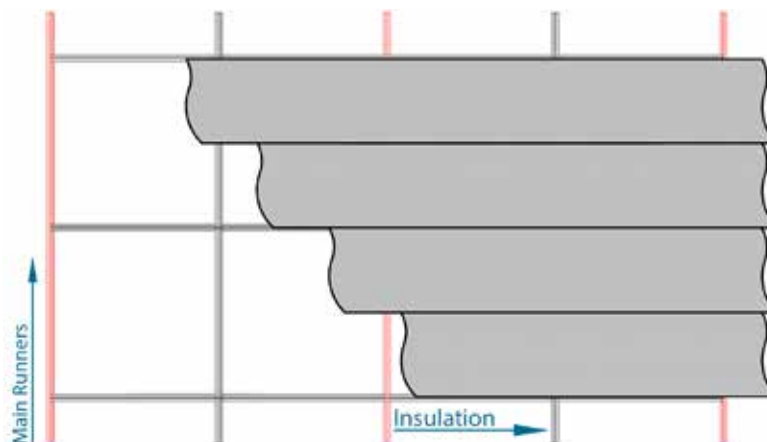


Backloading: ROCKFON Acoustical Ceiling Tiles

4. Rolls must span multiple suspension members with only occasional contact with back of acoustical material.



5. Insulation is to be applied perpendicular to the suspension main runners so that the grid carries the main load of insulation.
7. Insulation must not be placed on back of fire resistance rated ceilings unless specifically allowed by the specific time-rated design being considered.
8. Any additional accessories such as light fixtures that are in contact with the insulation must be IC rated.
9. Ceiling panels shall not be used to support the weight of speakers, lighting, grills, or other items wholly or in part. These components must be supported independently of the ceiling panels.



Rockfon will not be responsible for failure of the ceiling tile, acoustical material, grid, light fixture, structure, etc. due to condensation, excessive loading or failure to meet any of the criteria above.



ROCKFON 4849 SOUTH AUSTIN AVE., CHICAGO, IL 60638 / USA and Canada: 800-323-7164 / Fax: 800-222-3744 / rockfon.com