



SUBMITTAL SHEET

Product(s): Trim-Tex Chamfer Kerfed Beads

Description: Trim-Tex Chamfer Kerfed Beads are designed to finish a window or door with kerfed channels and provide a chamfer look that softens the room while producing a crisp look with great shadows.

Advantages: Qualifies for LEED® points. Comprehensive product line for finishing any drywall detail. Smooth curving arch products that are unmatched by metal beads. Made from rust proof, dent resistant PVC to reduce jobsite and handling damage. Safer than a sharp square metal corner.

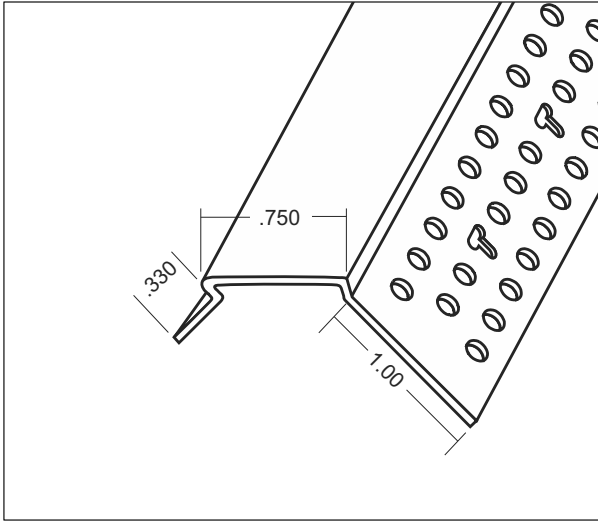
Limitations: Product is designed for interior use.

Applicable Standards: Rigid PVC products made by Trim-Tex meet ASTM specifications D3678-97, D1784-03, C1047-99 and achieve a Class A rating for flame spread and smoke developed when tested under ASTM E84-10.

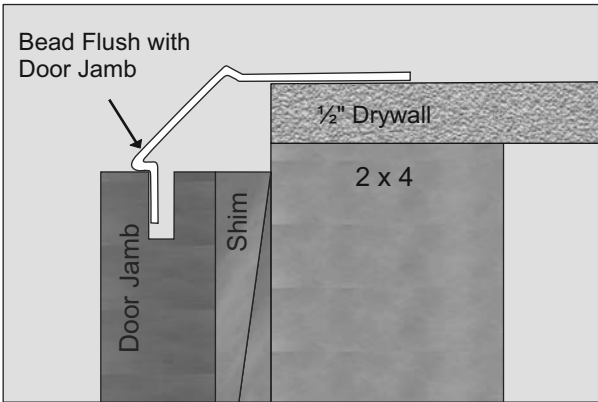
Surface Characteristics: Trim-Tex products are made from PVC. PVC does not support combustion and is self extinguishing when the source of flame or heat is removed.

Installation: Snip the bead to length and dry fit. Install with Trim-Tex 847 Spray Adhesive and 1/2" divergent staples. Detailed installation instructions are included with each product.

Finishing: To improve the bond-ability of drywall compounds, textures & plaster products to any bead, use MUD-MAX Drywall Compound Additive. Priming not required. Always use a high quality paint.



STOCK NUMBER	SIZE	LENGTH	PCS PER BOX
9580	1/2"	10'	30
9590	5/8"	10'	30



Job Name _____

Contractor _____ Date _____

Approvals (Signatures or Stamps)