

# FIRE RATED BOX ORDER FORM

PHONE: (905) 415-7777 FAX: (905) 415-7735

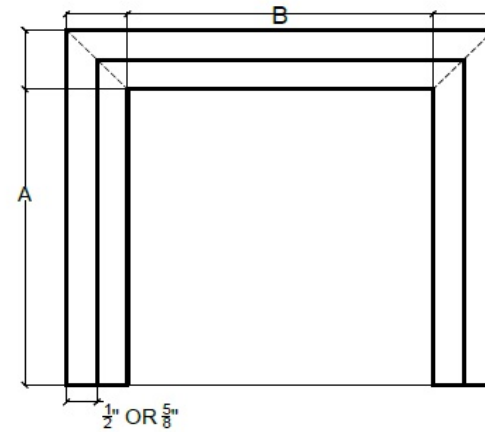
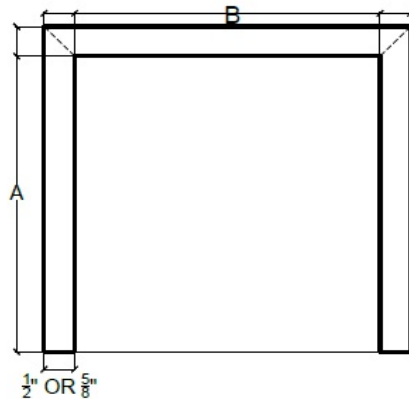
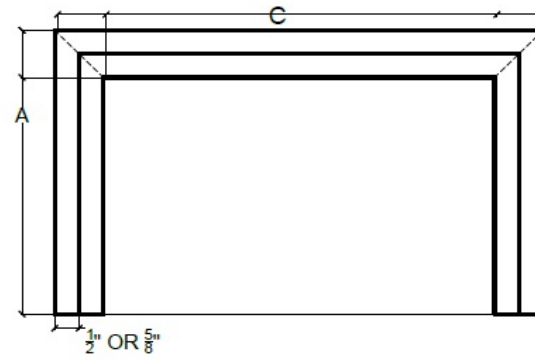
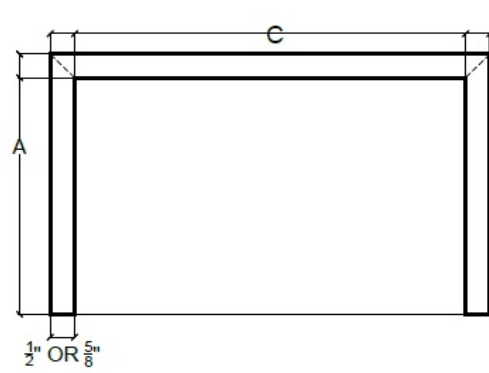
235 DON PARK ROAD, MARKHAM ONTARIO, L3R 1C2

[WWW.COMMERCIALDRYWALL.COM](http://WWW.COMMERCIALDRYWALL.COM)

Company:

Address:

Job Name:



Notes:

THICKNESS	VARIABLES	EDGE	A	B		TOTAL PIECES REQUIRED
1/2" <input type="checkbox"/> 5/8" <input type="checkbox"/>	A <input type="text"/> B <input type="text"/> C <input type="text"/>	<b>D200</b> <b>TAPERED</b> <b>45°</b>	<input type="checkbox"/>	<input type="checkbox"/>		<b>Quantity:</b> <input type="text"/>
<b>FINISHED SIDE</b>	- Total of A + B + C + D + E + F = 46.75" or Less - All dimensions to be in imperial (Inches) - If pan head framing screws are required add 1/16"		<input type="checkbox"/>	<input type="checkbox"/>		<b>Length:</b> <input type="text"/>
<b>DIMENSIONED SIDE</b>			<input type="checkbox"/>	<input type="checkbox"/>		<b>Quantity:</b> <input type="text"/>
Framed <input type="checkbox"/> Finished <input type="checkbox"/>		UNLESS SPECIFIED ABOVE, MIN 1 FACTORY EDGE		<b>Length:</b> <input type="text"/>		
<b>PRINT NAME:</b> <input type="text"/>		<b>SIGNATURE:</b> <input type="text"/>				<b>Date:</b> <input type="text"/>