



# SUBMITTAL SHEET

## Product(s): Trim-Tex J Beads

**Description:** Trim-Tex 5/8" J Beads are designed to finish 5/8" rough drywall ends and under all door and window encasements.

**Advantages:** Made from rust proof, dent resistant PVC to reduce jobsite and handling damage. Does not contain cellulose, a potential food source for mold

**Limitations:** Product is designed for interior use. Not recommended for skylight shafts. For skylight shafts use Mud on J Bead.

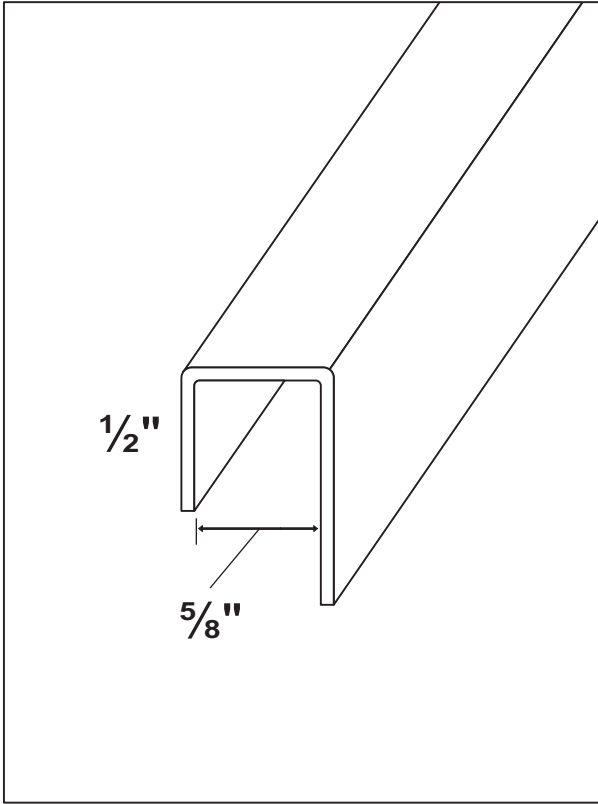
**Applicable Standards:** Rigid PVC products made by Trim-Tex meet ASTM specifications D3678-97, D1784-03, C1047-99 and achieve a Class A rating for flame spread and smoke developed when tested under ASTM E84-10.

**Surface Characteristics:** Trim-Tex products are made from PVC. PVC does not support combustion and is self extinguishing when the source of flame or heat is removed.

**Installation:** Snip the bead to length and dry fit. Slide J Bead over open drywall end. Glue into place if necessary.

**Finishing:** Always use a high quality paint.

**Accessories:** 847 Spray Adhesive, North Safety Products distributed by Trim-Tex.



J BEADS			
STOCK #	SIZE	LENGTH	PCS PER BOX
1208	5/8"	8'	50
1210	5/8"	10'	50

Job Name \_\_\_\_\_

Contractor \_\_\_\_\_ Date \_\_\_\_\_

Approvals (Signatures or Stamps)