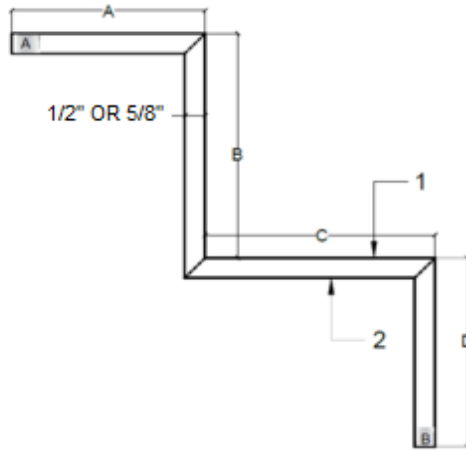




PHONE: (905) 415-7777 FAX: (905) 415-7735 235 DON PARK ROAD, MARKHAM ONTARIO, L3R 1C2 WWW.COMMERCIALDRYWALL.COM

Company: Address: Job Name:

MULTI-STEP COVER ORDER FORM



Notes: _____

THICKNESS	VARIABLES	EDGE	A	B		TOTAL PIECES REQUIRED
1/2" <input type="checkbox"/> 5/8" <input type="checkbox"/>	A <input type="text"/> B <input type="text"/> C <input type="text"/>	D200 TAPERED 45°	<input type="checkbox"/>	<input type="checkbox"/>	 	Quantity: <input type="text"/>
FINISHED SIDE	D <input type="text"/>		<input type="checkbox"/>	<input type="checkbox"/>		Length: <input type="text"/>
DIMENSIONED SIDE	1 <input type="checkbox"/> 2 <input type="checkbox"/> - Total of A + B + C + D + E + F = 46.75" or Less - All dimensions to be in imperial (Inches) - If pan head framing screws are required add 1/16"		<input type="checkbox"/>	<input type="checkbox"/>		Quantity: <input type="text"/>
Framed <input type="checkbox"/> Finished <input type="checkbox"/>		UNLESS SPECIFIED ABOVE, MIN 1 FACTORY EDGE				Length: <input type="text"/>
PRINT NAME:						Date: <input type="text"/>
						SIGNATURE: <input type="text"/>