



SUBMITTAL SHEET

Product(s): Trim-Tex Oversized L Beads

Description: Trim-Tex L Beads are designed to finish window returns and other rough drywall ends.

Advantages: Made from rust proof, dent resistant PVC to reduce jobsite and handling damage. 3611 is two sizes in one, 2 11/16" & 2 1/8". Does not contain cellulose, a potential food source for mold.

Limitations: Product is designed for interior use.

Applicable Standards: Rigid PVC products made by Trim-Tex meet ASTM specifications D3678-97, D1784-03, C1047-99 and achieve a Class A rating for flame spread and smoke developed when tested under ASTM E84-10.

Surface Characteristics: Trim-Tex products are made from PVC. PVC does not support combustion and is self extinguishing when the source of flame or heat is removed.

Installation:

Method 1: To install the bead, cut the bead to length. Spray the bead with Trim-Tex 847 Spray Adhesive. Immediately apply to the drywall. Once in position, press the legs into place using a Trim-Tex installation tool or the handle of your taping knife.

Method 2: Cut the bead to length. Once in position, staple the mud leg into place every 6"-8" with 1/2" long divergent staples.

Preferred: Combination of 847 Spray adhesive and staples as detailed above.

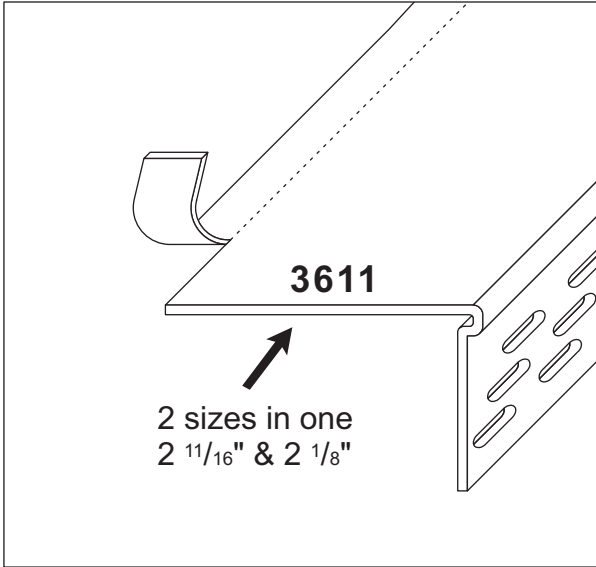
Finishing: Always use a high quality paint.

Accessories: 847 Spray Adhesive, Staple Guns and Divergent Staples, Trim-Tex Sanding Blocks & Abrasive Products, Mud-Max Drywall Compound Additive, North Safety Products distributed by Trim-Tex.

Job Name _____

Contractor _____ Date _____

Approvals (Signatures or Stamps)



STOCK NUMBER	SIZE	LENGTH	PCS PER BOX
3611	2 11/16" & 2 1/8"	10'	30