



# SUBMITTAL SHEET

## Product(s): Pullaway™ L Bead

**Description:** Trim-Tex Pullaway L Beads are designed to finish rough drywall ends and drywall layering details.

**Advantages:** The masking strip extends out ½" providing a wide area of protection. The pullaway strip is a masking as well as a guide for the taping knife. Use for butting drywall to other substrates. Made from rust proof, dent resistant PVC to reduce jobsite and handling damage. Does not contain cellulose, a potential food source for mold

**Limitations:** Product is designed for interior use.

**Applicable Standards:** Rigid PVC products made by Trim-Tex meet ASTM specifications D3678-97, D1784-03, C1047-99 and achieve a Class A rating for flame spread and smoke developed when tested under ASTM E84-10.

**Surface Characteristics:** Trim-Tex products are made from PVC. PVC does not support combustion and is self extinguishing when the source of flame or heat is removed.

### Installation:

**Method 1:** To install the bead, cut the bead to length. Spray the bead with Trim-Tex 847 Spray Adhesive. Immediately apply to the drywall. Once in position, press the legs into place using a Trim-Tex installation tool or the handle of your taping knife.

**Method 2:** Cut the bead to length. Once in position, staple the mud leg into place every 6"-8" with ½" long divergent staples.

**Preferred:** Combination of 847 Spray adhesive and staples as detailed above.

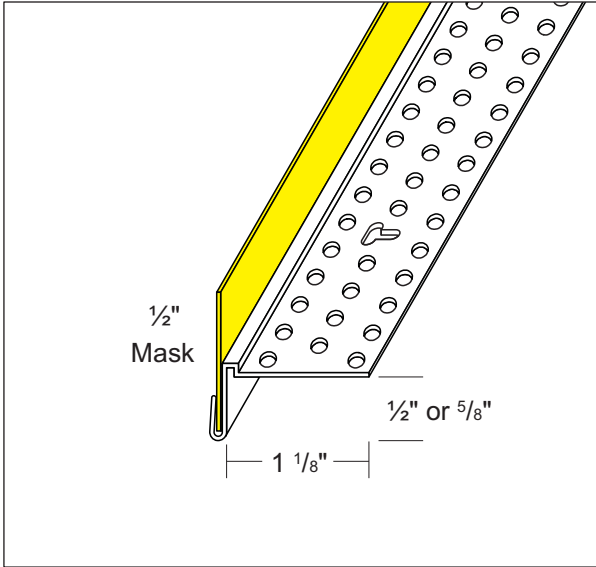
**Finishing:** Once mudding is complete, remove pullaway strip for a clean, sharp look. Always use a high quality paint.

**Accessories:** 847 Spray Adhesive, Staple Guns and Divergent Staples, Trim-Tex Sanding Blocks & Abrasive Products, Mud-Max Drywall Compound Additive, North by Honeywell -Safety Products distributed by Trim-Tex.

Job Name \_\_\_\_\_

Contractor \_\_\_\_\_ Date \_\_\_\_\_

Approvals (Signatures or Stamps)



STOCK NUMBER	SIZE	LENGTH	PCS PER BOX
3008	1/2"	8'	35
3010	1/2"	10'	35
3012	1/2"	12'	35
3110	5/8"	10	35