



SUBMITTAL SHEET

Product(s): Trim-Tex Reveal Beads

Description: Trim-Tex Reveal Beads are used to create 1/4" or 1/2" deep reveals in drywall and are available in multiple widths. Reveal Beads are great for breaking up the monotony of long drywall runs. Can be used vertically, horizontally, at an angle or any combination.

Advantages: Qualifies for LEED® points. 1/4" X 1/4" Reveal is perfect for creating fine line details and can be flexed to conform to curving walls and soffits. Made from rust proof, dent resistant PVC to reduce jobsite and handling damage. Safer than a sharp square metal corner.

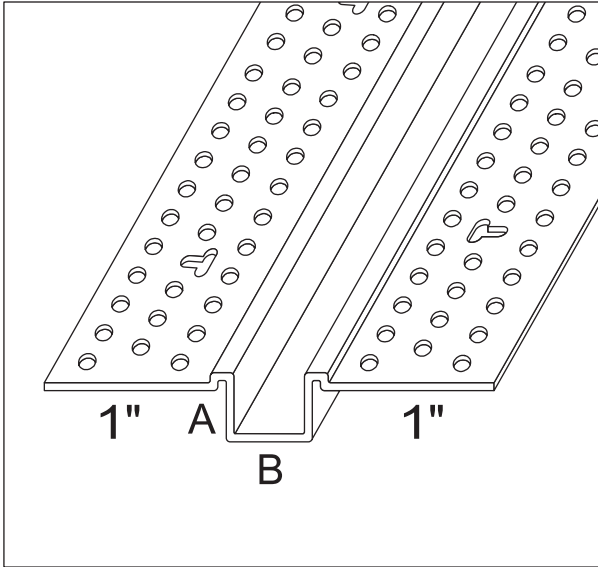
Limitations: Product is designed for interior use.

Applicable Standards: Rigid PVC products made by Trim-Tex meet ASTM specifications D3678-97, D1784-03, C1047-99 and achieve a Class A rating for flame spread and smoke developed when tested under ASTM E84-10.

Surface Characteristics: Trim-Tex products are made from PVC. PVC does not support combustion and is self extinguishing when the source of flame or heat is removed.

Installation: Snip the bead to length and dry fit. Install with Trim-Tex 847 Spray Adhesive and 1/2" divergent staples. Detailed installations instructions are included with each product.

Finishing: To improve the bondability of drywall compounds, textures & plaster products to any bead, use MUD-MAX Drywall Compound Additive. For texture finishes, TEX11 Texture Prep is recommended on beads with exposed PVC surfaces such as Bullnose, Super L Beads and Fast Caps. Priming is not required. Always use a high quality paint. North Safety Products are distributed by Trim-Tex.



STOCK NUMBER	A X B SIZE	LENGTH	PCS PER BOX
5150	1/4" x 1/4"	10'	30
5160	1/2" x 1/4"	10'	20
5110	1/2" x 1/2"	10'	20
5210	1/2" x 3/4"	10'	15
5310	1/2" x 1"	10'	15
5320	5/8" x 1/2"	10'	15
5330	5/8" x 3/4"	10'	15
5340	5/8" x 1"	10'	12
5350	5/8" x 2"	10'	10

Job Name _____

Contractor _____ Date _____

Approvals (Signatures or Stamps)