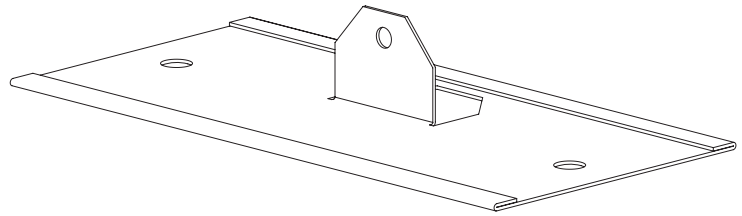


## Double Anchor Bracket (DAB): ROCKFON Island Accessory

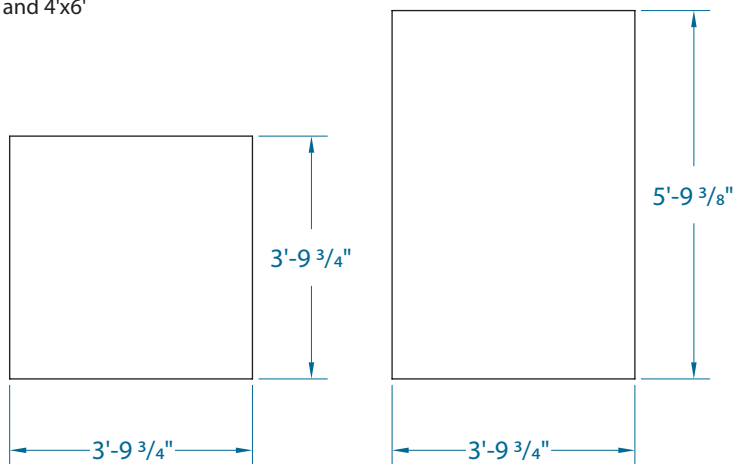
### Use of the DAB

The DAB is used to increase the anchorage for ROCKFON Islands by doubling up the anchors as well as providing positive attachment when adhesive is used. Contact Technical services for additional requirements in seismic installations.



### Applicable ROCKFON Islands

4'x4' and 4'x6'



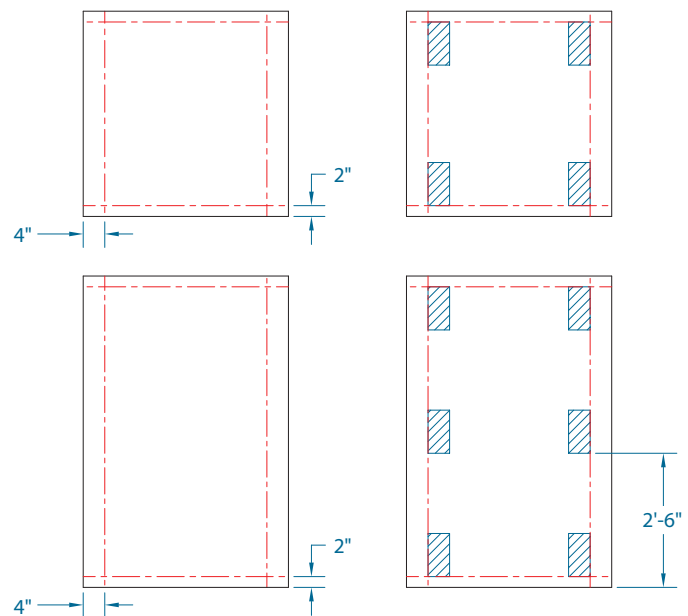
### Handling Islands

It is recommended that ROCKFON Islands be handled by two installers at all times when moving or during installation. Uneven lifting can cause damage to the island.

### Installation

Installing the DAB allows for greater connection strength to stone wool islands.

The DABs are positioned in a similar manner to the standard layouts defined in the ROCKFON Island installation guide, which require 4 mounting points for a 4'x4' island and 6 mounting points for a 4'x6' Island.



# Double Anchor Bracket (DAB): ROCKFON Island Accessory

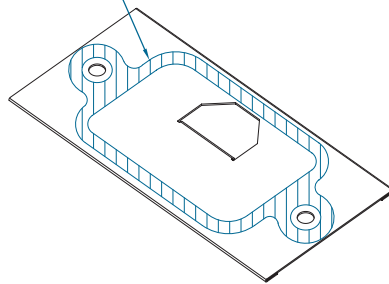
## DAB Bracket Installation

It is recommended to install the DAB brackets with adhesive, and required in seismic design categories DEF. The spiral anchors will hold the brackets as the adhesive cures. Depending on the type of adhesive chosen (application options are shown below), apply the adhesive to the underside of the brackets, or to the locations on the back surface of the islands. Follow the adhesive manufacturer's recommendations.

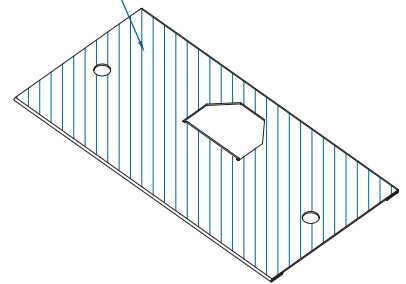
ROCKFON recommended adhesives:

- Sikabond® Construction Adhesive
- Titebond® GREENchoice™ Acoustical Ceiling Tile Adhesive

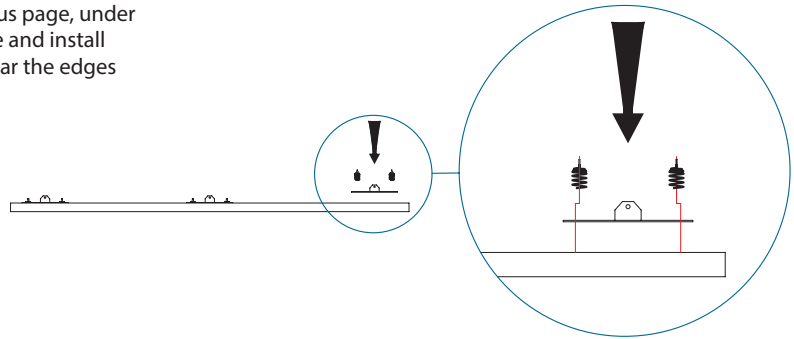
If utilizing adhesive in caulk tube, apply as shown



For best adhesion, apply with a trowel as shown

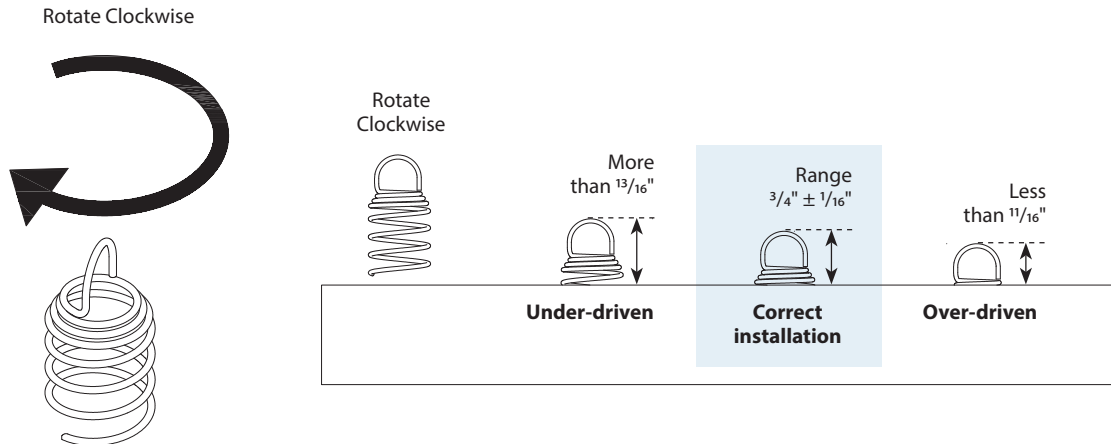


Place the DABs into the locations defined on previous page, under Installation. Firmly press down to distribute the glue and install the spiral anchors through the two holes located near the edges of the bracket.



## Anchor Installation

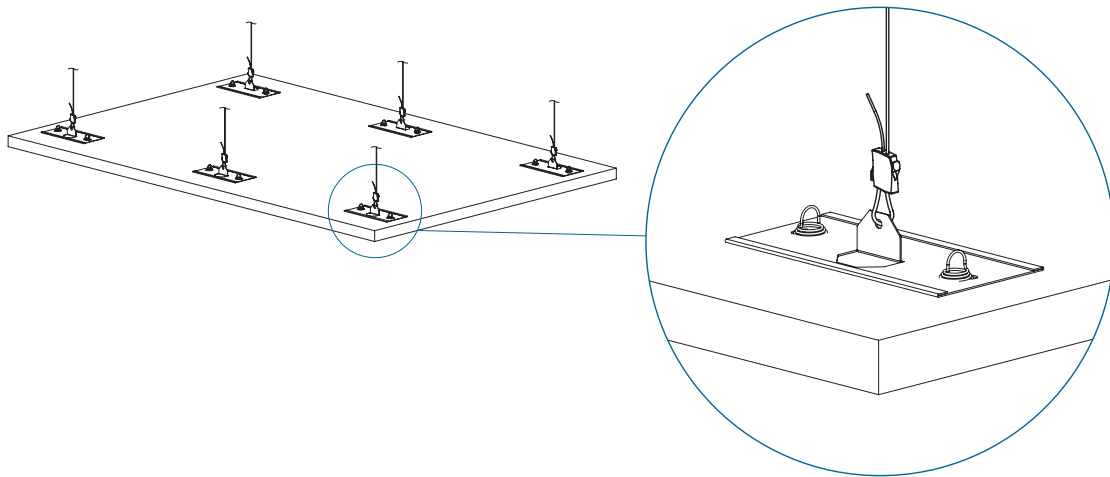
Install the anchors by rotating clockwise as shown below.



## Double Anchor Bracket (DAB): ROCKFON Island Accessory

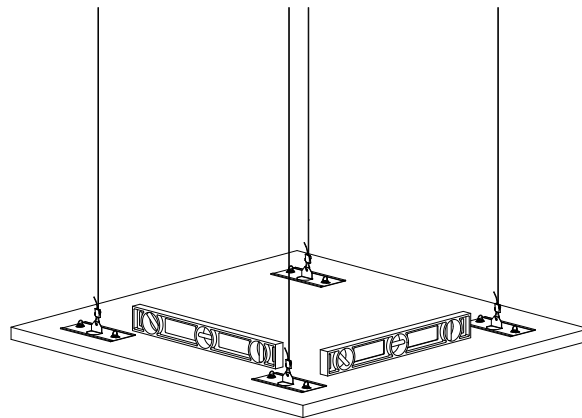
### Lifting and Leveling

Install all brackets prior to raising the island; lift the island in a level manner to equally distribute the load on the anchor points.



### Final Leveling

Finish the installation by leveling in both directions.



### Have questions?

Contact the ROCKFON Technical Services Team by calling 800-323-7164, prompt 3 and we can provide assistance on your project.



ROCKFON 4849 SOUTH AUSTIN AVE., CHICAGO, IL 60638 / USA and Canada: 800-323-7164 / Fax: 800-222-3744 / [rockfon.com](http://rockfon.com)