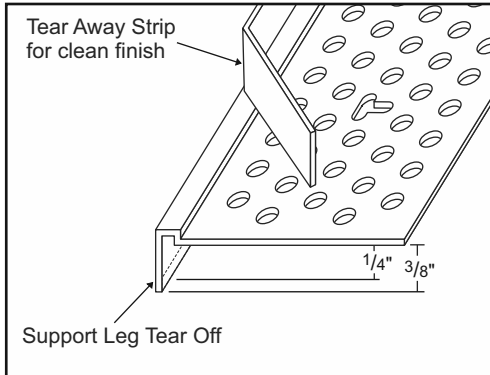


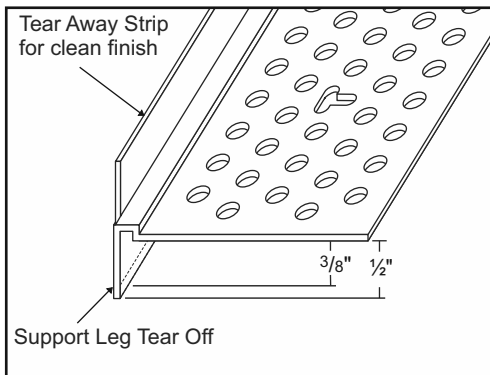


SUBMITTAL SHEET

Product(s): Trim-Tex Shower Bead



Stock # 9358 FOR 1/2" DRYWALL



Stock# 9368 FOR 5/8" DRYWALL

Description: Trim-Tex Shower Bead is designed to finish drywall terminating at shower/bath enclosures. The bead features a tear off strip that protects the flange from mud, leaving a clean finished edge. Two sizes available, 1/2" or 5/8" drywall.

Advantages: Features a tear-off leg that acts as a guide for the taping knife as well as protective masking for mudding. The 2 1/4" long mud leg allows the drywall to sit flush with the flange while reducing the amount of mud needed to finish. Made from rust proof, dent resistant PVC to reduce job site and handling damage. Does not contain cellulose, a potential food source for mold.

Limitations: Product is designed for interior use.

Applicable Standards: Rigid PVC products made by Trim-Tex meet ASTM specifications D3678-97, D1784-03, C1047-99 and achieve a Class A rating for flame spread and smoke developed when tested under ASTM E84-10.

Surface Characteristics: Trim-Tex products are made from PVC. PVC does not support combustion and is self extinguishing when the source of flame or heat is removed.

Installation:

Method 1: To install the bead, cut the bead to length. If needed, for a better fit on thick flanged shower/bath units remove tear off support leg. Spray the bead with Trim-Tex 847 Spray Adhesive. Immediately apply to the drywall. Once in position, press the legs into place using a Trim-Tex installation tool or the handle of your taping knife.

Method 2: Cut the bead to length. If needed, for a better fit on thick flanged shower/bath units remove tear off support leg. Once in position, staple the mud leg into place every 6"-8" with 1/2" long divergent staples.

Preferred: Combination of 847 Spray adhesive and staples as detailed above.

Finishing: Once mudding is complete, remove tear-off leg for a clean, sharp look. Always use a high quality paint.

Accessories: 847 Spray Adhesive, Staple Guns and Divergent Staples, Trim-Tex Sanding Blocks & Abrasives, Mud-Max Drywall Compound Additive, North by Honeywell -Safety Products distributed by Trim-Tex.

Job Name _____

Contractor _____ Date _____

Approvals (Signatures or Stamps)

STOCK NUMBER	SIZE	LENGTH	PCS PER BOX
9358	1/2"	8'	25
9368 (TALL)	5/8"	8'	25

